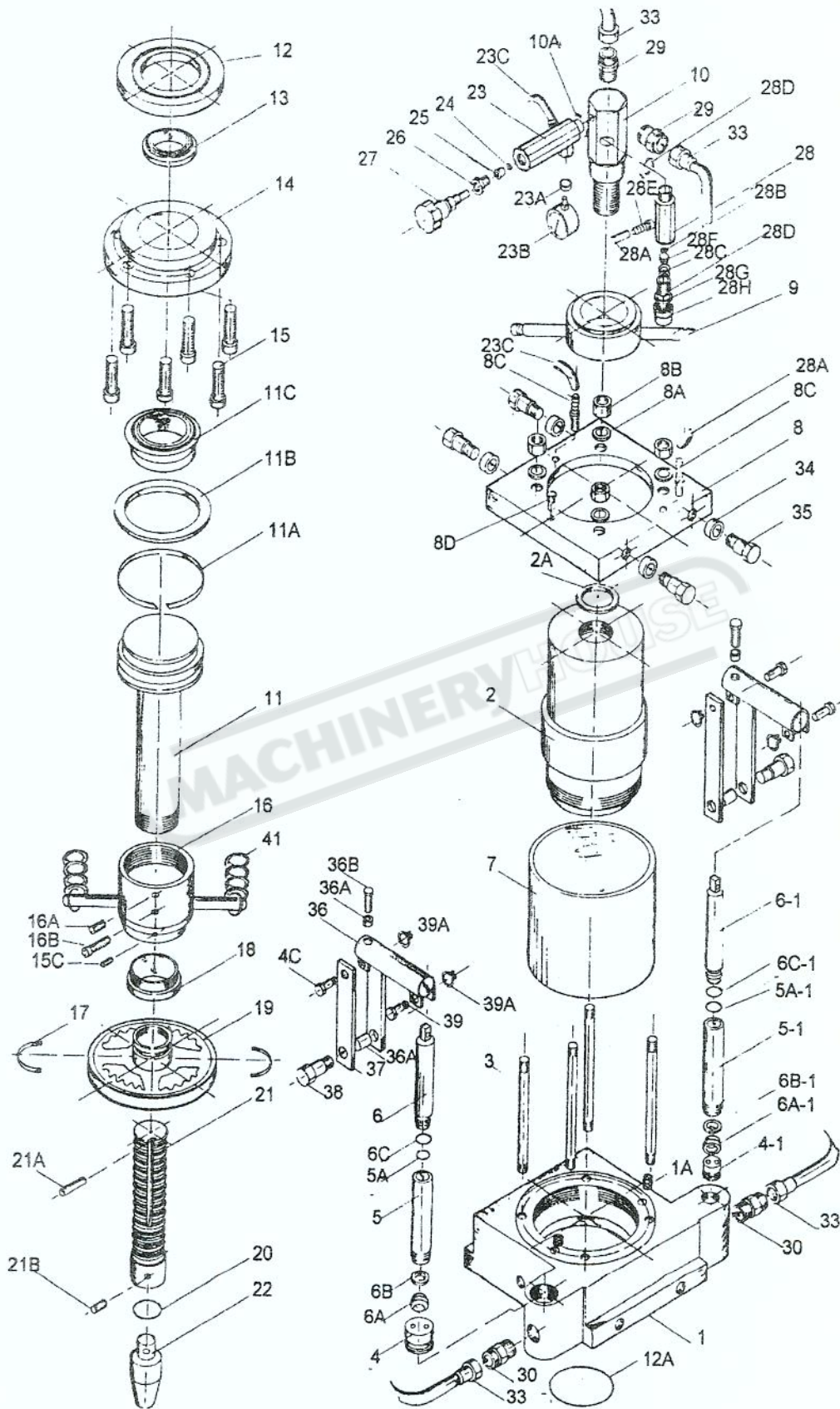


# HEAD ASSEMBLY



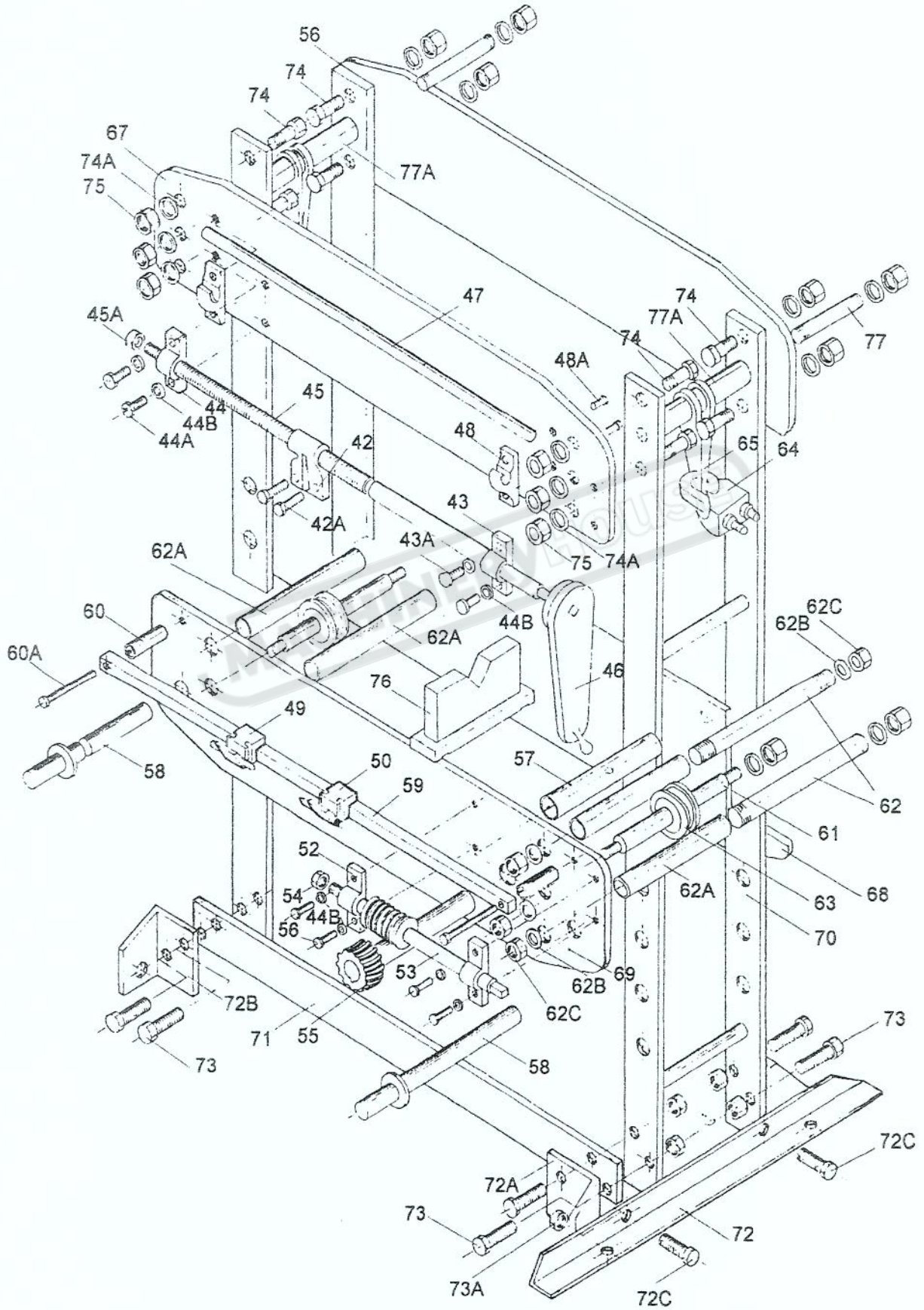
## Head Assembly

### Index Part

No	No.	Description	Size	Qty.
1	P129#01	Hydraulic Base		1
1A	P129#01A	Base Filter **		2
2	P129#02	Cylinder		1
2A	P129#02A	Spacer **		2
3	P129#03	Support Rod		4
4	P129#04	Single Action Valve		1
4-1	P129#04-1	Single Action Valve		1
5	P129#05	Pump Cylinder		1
5-1	P129#05-1	Pump Cylinder		1
6	P129#06	Shaft		1
6-1	P129#06-1	Shaft		1
6A	P129#06A	Cup Seal **		1
6A-1	P129#06A-1	Cup Seal **		1
6B	P129#06B	Wiper Seal **		1
6B-1	P129#06B-1	Wiper Seal **		1
6C	P129#06C	O-Ring **		1
6C-1	P129#06C-1	O-Ring **		1
7	P129#07	Reservoir		1
8	P129#08	Hydraulic Top Base		1
8A	P129#08A	Lock Washer	1/2	1
8B	P129#08B	Hex Nut	1/2	5
8C	P129#08C	Brass Tube Connector		4
8D	P129#08D	Hex Filler Plug w/Seal		4
9	P129#09	Connector Post		1
10	P129#10	Oil Pass Connector		1
10A	P129#10A	Spacer		2
11	P129#11	Plunger		1
11A	P129#11A	Teflon Support Ring **		1
11B	P129#11B	Spacer Ring		1
11C	P129#11C	Cup Seal **		1
12	P129#12	Brass Gasket		1
12A	P129#12A	O-Ring **		1

13	P129#13	Seal **	1
14	P129#14	Plunger Plate w/ Gasket	1
15	P129#15	Socket Head Cap Screw 3/8-1 1/4	6
16	P129#16	Connector Post	1
16A	P129#16A	Socket Set Screw	1
16B	P129#16B	Set Screw	1
16C	P129#16C	Socket Set Screw	1
17	P129#17	Hand Wheel Retainer Clips	2
18	P129#18	Hand Wheel Spacer	1
19	P129#19	Hand Wheel	1
20	P129#20	Seal	1
21	P129#21	Extension Screw	1
21A	P129#21A	Stopper Roll Pin	1
21B	P129#21B	Set Screw	1
22	P129#22	Press Head	1
23	P129#23	Release Valve Block	1
23A	P129#23A	Spacer	1
23B	P129#23B	Pressure Gauge	1
23C	P129#23C	Plastic Tube	1
24	P129#24	Steel Ball	1
25	P129#25	Release Valve Seal **	1
26	P129#26	Release Valve Nut	1
27	P129#27	Release Valve	1
28	P129#28	Safety Valve Block	1
28A	P129#28A	Plastic Tube	1
28B	P129#28B	Steel Ball	1
28C	P129#28C	Safety Spring	1
28D	P129#28D	Safety Valve Set Screw	1
28E	P129#28E	Brass Tube Connector	1
28F	P129#28F	Release Valve Seal **	1
28G	P129#28G	Washer	1
28H	P129#28H	Hex Nut	1
28I	P129#28I	Spacer	1
29	P129#29	Male Connector	2
30	P129#30	Male Connector	2
33	P129#33	Bronze Tube	2
34	P129#34	Sliding Wheel	4
35	P129#35	Hex Locking Screw	4
36	P129#36	Handle Socket	2
36A	P129#36A	Nut 3/8	2

# FRAME ASSEMBLY



36B.....	P129#36A .....	Hex Head Screw .....	3/8-16x1 .....	2
37 .....	P129#37 .....	Linking Sleeve .....		4
38 .....	P129#38 .....	Bottom .....	Fixed Bolt .....	2
38A.....	P129#38A .....	Spacer .....		2
39 .....	P129#39 .....	Bolt .....		2
39A.....	P129#39A .....	C-Clip.....		4
40 .....	P129#40 .....	Bolt .....		2
41 .....	P129#41 .....	Return Spring .....		2
	P129 RK.....	Hydraulic Repair Kit.....		1

\*\*Included in Hydraulic Repair Kit

MACHINERYHOUSE

## Frame Assembly

42	P129#42	Shaft Holder	1
42A	P129#42A	Hex Cap Head Bolt..... 1/2xl	2
43	P129#43	Rolling Shaft Block	1
43A	P129#43A	Hex Head Bolt ..... 3/8xl 1/4	2
44	P129#44	Rolling Shaft Block	1
44A	P129#44A	Hex Cap Bolt ..... 3/8-16xl	2
44B	P129#44B	Washer ..... 3/8	8
45	P129#45	Sliding Shaft	1
45A	P129#45A	Nut ..... 5/8-18	1
46	P129#46	Hand Crank	1
47	P129#47	Handle	1
48	P129#48	Handle Holder	2
48A	P129#48A	Hex Cap Bolt ..... 5/16x1	4
49	P129#49	Center Post Assy.(Left)	1
50	P129#50	Center Post Assy.(Right)	1
51	P129#51	Fixed Holder	1
52	P129#52	Shaft Fixed Block	1
53	P129#53	Drive Gear Shaft Assembly	1
54	P129#54	Hex Nut	1
55	P129#55	Worm Gear / Shaft Assembly	1
56	P129#56	Hex Head Screw ..... 3/8x1	4
57	P129#57	Spacer Sleeve	1
58	P129#58	Table Holder Pin	1
59	P129#59	Square Bar	1
60	P129#60	Screw Spacer	2
60A	P129#60A	Hex Cap Bolt ..... 3/8x3 1/2	2
61	P129#42	Slide Wheel Shaft	2
62	P129#62	Table Bolt	4
62A	P129#62A	Spindle Sleeve	8
62B	P129#62B	Lock Washer..... 5/8	12
62C	P129#62C	Hex Nut..... 5/8	12
63	P129#63	Cable Slide Wheel	2
64	P129#64	Wire Rope Clip	2
65	P129#65	Cable	1
66	P129#66	Top Frame (Rear)	1
67	P129#67	Top Frame (Front)	2
68	P129#68	Table Frame (Rear)	1

69	P129#69	Table Frame (Front)	1
70	P129#70	Main Frame	2
71	P129#71	Lower Frame Support	2
72	P129#72	Base Frame Bracket	2
72A	P129#72A	Frame Bracket(Left)	2
72B	P129#72B	Frame Bracket(Right)	2
72C	P129#72C	Hex Cap Bolt	5/8x1 1/2 8
73	P129#73	Hex Cap Bolt	5/8x2 4
73A	P129#73A	Nut	5/8 12
74	P129#74	Hex Head Bolt	3/4x2 8
74A	P129#74A	Lock Washert	3/4 12
75	P129#75	Nut	3/4 12
76	P129#76	V-Block Bed Plate	2
77	P129#77	Top Link Bolt	2
77A	P129#77A	Spacer Sleeve	2

MACHINERYHOUSE